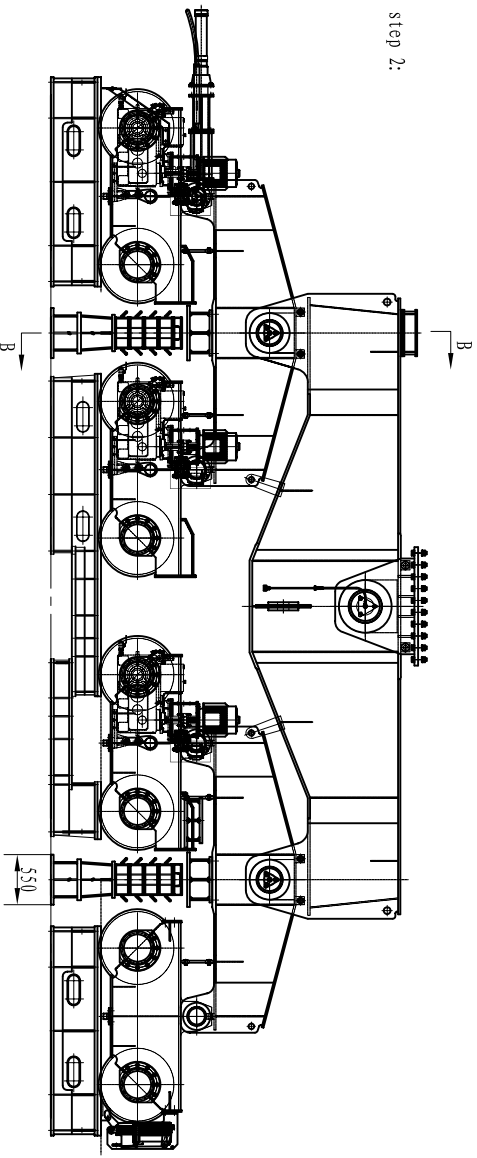
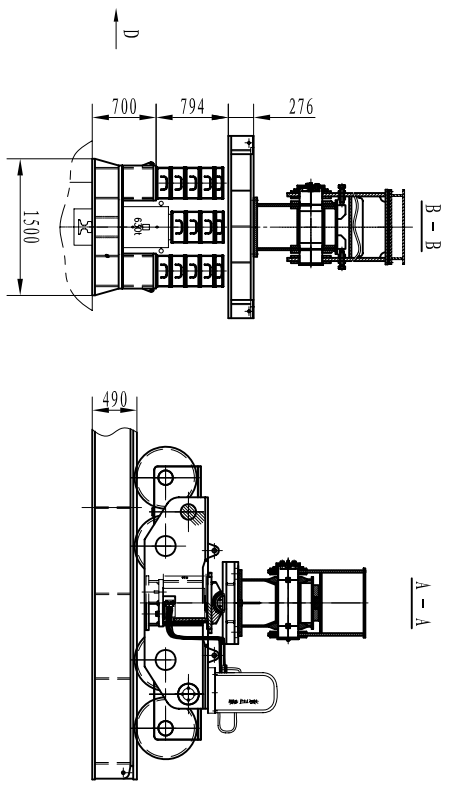
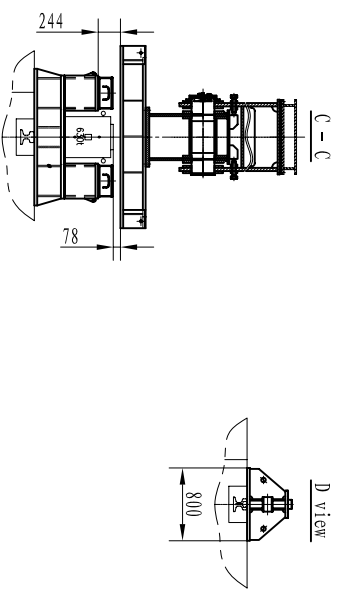


step 1:



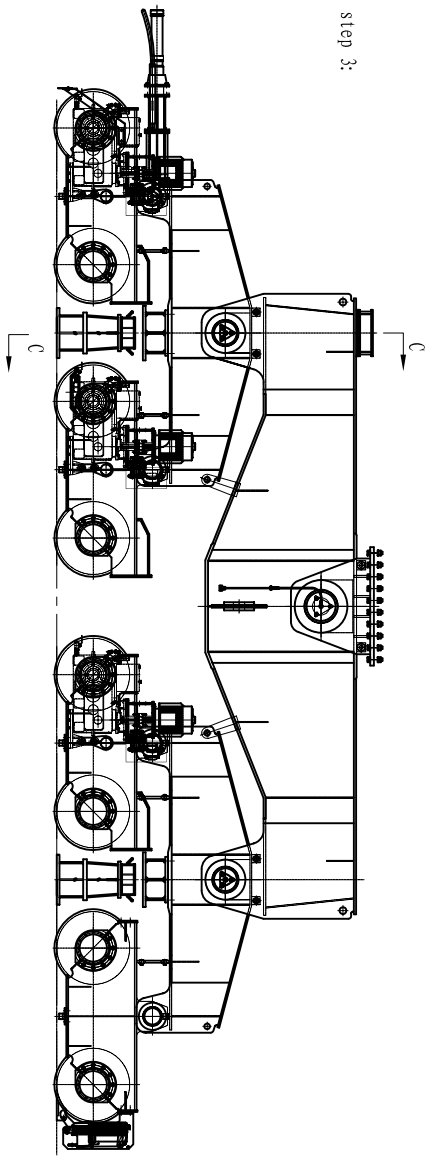
step 2:



landside: F=129t
seaside: F=104t

landside: F=129t
seaside: F=104t

step 3:



- Technique require:
1. lower the jacking trolley, set the gantry on the temporary rail.
 2. remove the discharging rails and the jacking trolley.
 3. install the jacking system in the equalizer beam, jack the crane by the jacking system.
 4. jacking, take the temporary rail off.
 5. lower the gantry to the dock rails.
 6. keep the same height at both sides of seaside gantry (or landside gantry) for balance.



NO.	SUB-NO. or STDD	NAME & SIZE	MTRL or STYLE	QTY/set	each	total	NOTE
PROJECT:		DESIGN STAGE:					
ITEM NAME: jacking state		DRAW NO: Z13-F403					
PROJECT:		SCALE:					
ZPMC		DSGN	TRACE	APP.			
DRAW		CHK	CHK	QTY/SET			
CHK		VER.	SET/CRAVE				